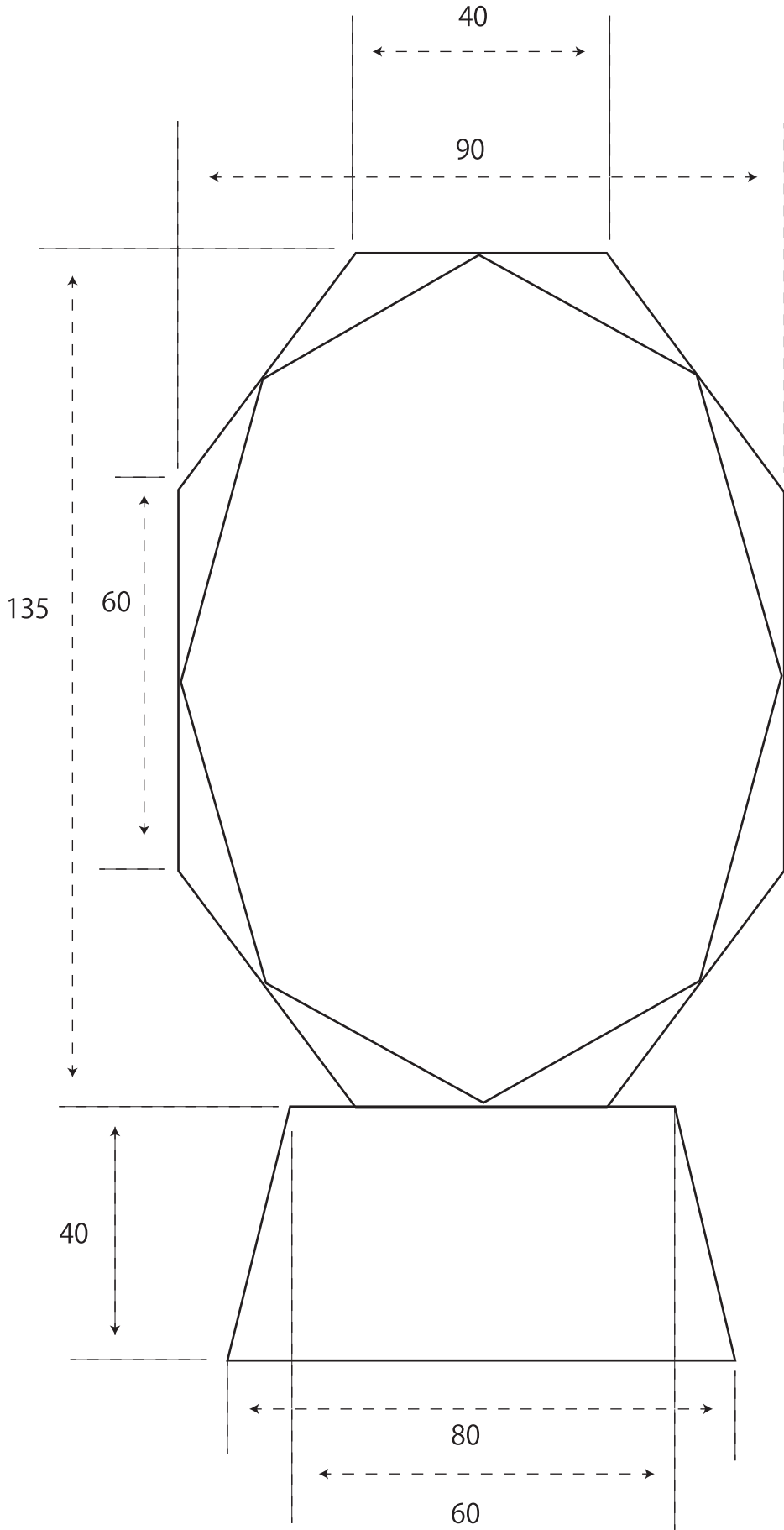


# SS-1.2.3.4A



# CR-16A

